

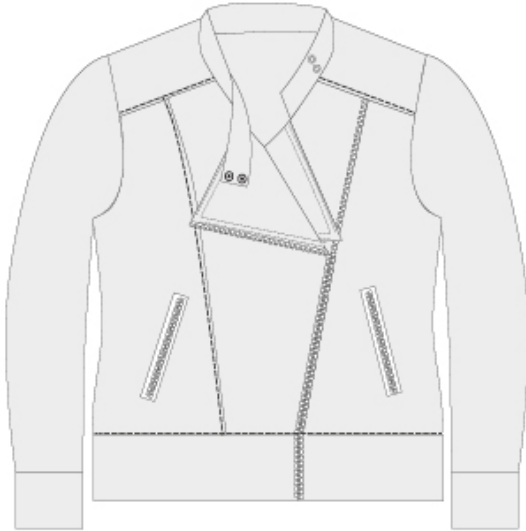
# MOTO COLLAR

XS - XXXL



hey june  
PATTERNS

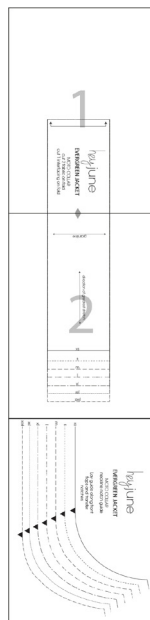
## Evergreen Moto Collar



This free pattern is for a moto-style collar add-on for the Evergreen Jacket. Add a little edgy flair to your Evergreen with this simple stand collar. In addition to the notions and fabric required for the Evergreen, you'll need two heavy duty snaps or buttons.

Print pattern using Adobe Acrobat to ensure perfect scaling. You can get a free version here: [www.adobe.com/reader](http://www.adobe.com/reader)

### Taping Guide:



### Cutting Guide:

Cut two collars from fabric on the fold. If using knit fabric, follow the direction of stretch guide on the pattern. (note that the collar is cut on the fold, but the notch is only transferred to one side.)

Cut one collar from interfacing.

Cut out the notch guide for the appropriate size and lay it against the front flaps (pattern piece 1) to transfer the notches.

**TERMS OF USE:** Purchase includes the right to sell garments made with this pattern. However, it is illegal to copy, share, distribute, or resell the pattern, illustrations, or instructions. Please respect the copyright and direct any requests to [www.heyjunehandmade.com](http://www.heyjunehandmade.com).

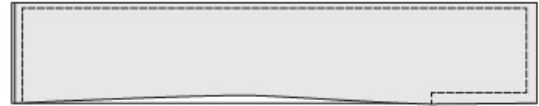
all seam allowances 3/8"

Instructions begin after step 22 in the Evergreen Jacket instructions. When finished with these directions, continue with step 25.

1. Apply interfacing to the wrong side of one of the collar pieces. This will now be the collar facing.



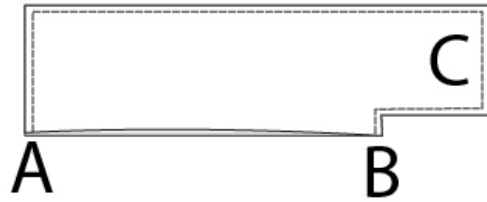
2. Sew the collar and collar facing right sides together. Start at one short end, sew up and around the top, down the other short end, and over to the notch. At the notch stop, pivot, and sew down the seam allowance



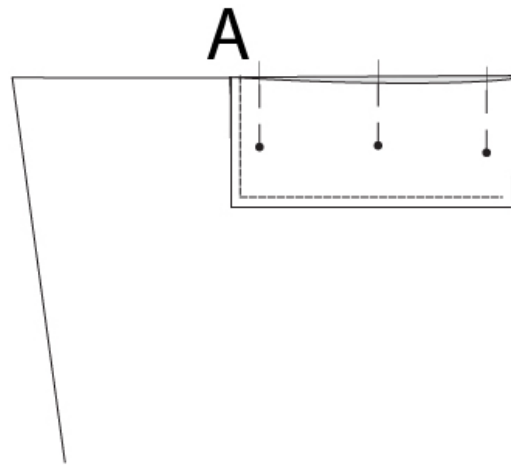
3. Clip the corners and turn the collar right side out. Top stitch around the collar the same way you sewed it together in step 2.



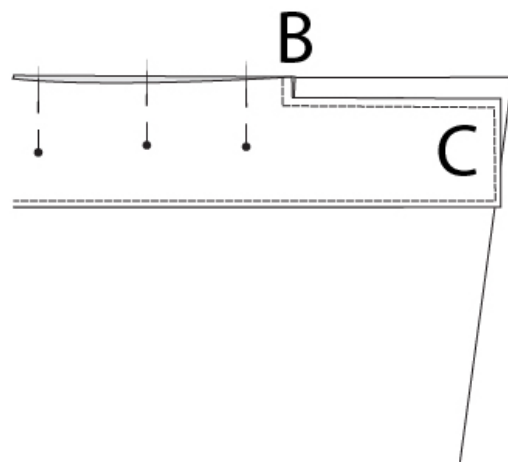
4. Note the position of the letters in this diagram to help you sew the collar to the jacket. The area marked C will be the extended collar overlap.



5. Pin the collar to the jacket neckline. First, align point A on the collar with the center notch on the left front flat piece (left as worn).

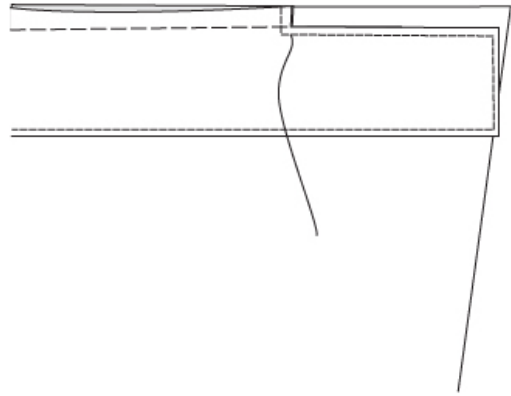


6. Continue pinning the collar around the neckline until you reach point B. At that point, stop pinning and leave the area marked C free.



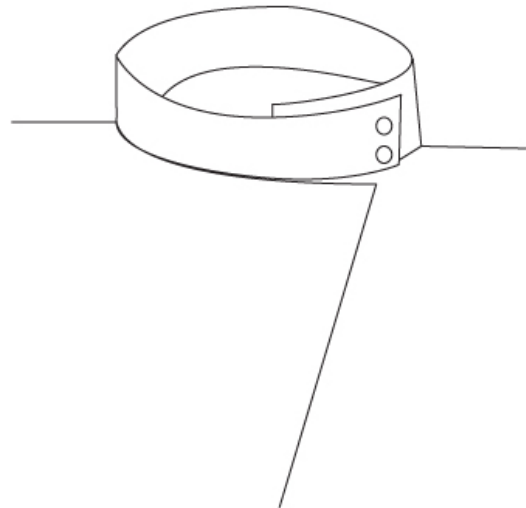
7. Baste the collar to the jacket from point A to point B.

Continue with the instructions from the Evergreen Jacket to attach the jacket facing and sew the collar in place.

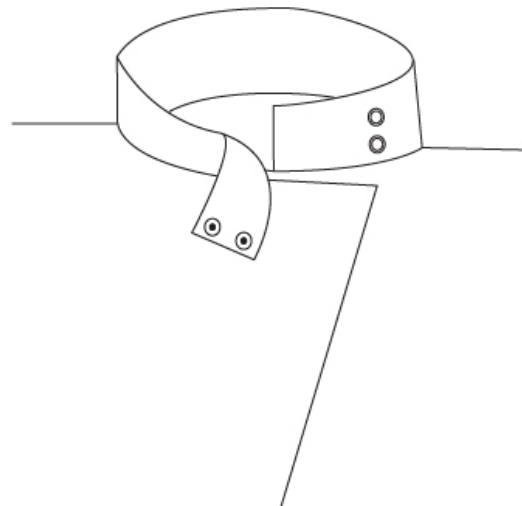


When the jacket is complete, attach two snaps to the end of the collar overlap (the area marked C).

Optionally, you could sew two buttonholes to this area.



Mark where the snaps or buttonholes hit the other side of the collar and attach the other side of the snaps or sew on two buttons.



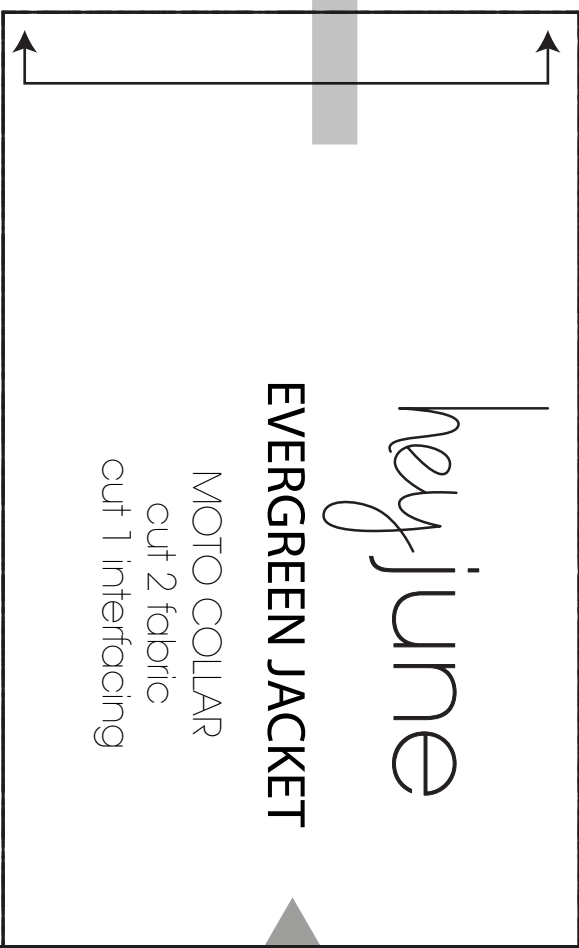
heyjune

**EVERGREEN JACKET**

MOTO COLLAR

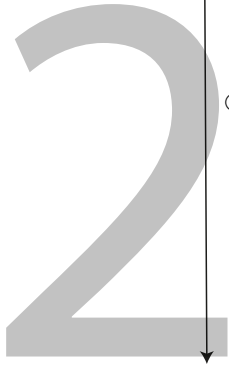
cut 2 fabric

cut 1 interfacing



grainline

xs  
s  
m  
l  
xl  
xxl  
xxxl



xs
s
m
l
xl
xxl
xxxl

heyjune

**EVERGREEN JACKET**

MOTO COLLAR

neckline notch guide

Lay guide along front  
flap and transfer notch

